

CROSSOVER STEPLADDERS

- Units are made of all-welded steel construction and can be knocked-down for easy storage
- Upper platform features removable two sided 42" high handrail with 21" mid-rail and fixed 4" toeboards to prevent objects from rolling off
- Serrated steps for extra grip and safety are 23 1/2" W x 7" D
- Step angle: 58°
- Overall ladder width: 29"
- Ground legs include floor mounting pads
- Units must be anchored to the floor
- Capacity: 500 lbs.
- Yellow powder coat finish

VC442

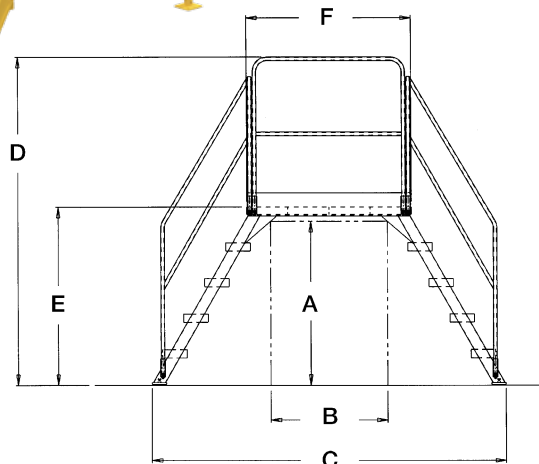


DON'T SEE A SIZE OR DESIGN THAT MEETS YOUR NEEDS? CALL US WITH YOUR SPECIFICATIONS FOR A CUSTOM DESIGN.

ALTERNATING STEP OPTION AVAILABLE UPON REQUEST



Model No.	No. of Steps	A	B	C	D	E	F	Weight lbs.	Price /Each
VC442	3	28	14 1/2	54 1/2	72 3/4	30	24	186	
VC443	3	28	26 1/2	66 1/2	72 3/4	30	36	210	
VC444	3	28	38-1/2	78 1/2	72 3/4	30	48	241	
VC445	3	28	50 1/2	90 1/2	72 3/4	30	60	265	
VC446	4	38	14 1/2	67	82 3/4	40	24	217	
VC447	4	38	26 1/2	79	82 3/4	40	36	242	
VC448	4	38	38-1/2	91	82 3/4	40	48	272	
VC449	4	38	50 1/2	103	82 3/4	40	60	297	
VC450	5	48	14 1/2	79 1/2	92 3/4	50	24	248	
VC451	5	48	26 1/2	91 1/2	92 3/4	50	36	273	
VC452	5	48	38-1/2	103 1/2	92 3/4	50	48	303	
VC453	5	48	50 1/2	115 1/2	92 3/4	50	60	328	
VC454	6	58	14 1/2	92	102 3/4	60	24	279	
VC455	6	58	26 1/2	104	102 3/4	60	36	304	
VC456	6	58	38-1/2	116	102 3/4	60	48	334	
VC457	6	58	50 1/2	128	102 3/4	60	60	359	



STOCK PICKING STEEL ROLLING LADDERS

- 1 1/16" tubular steel construction
- 24" W x 20" D top step with 24" W x 7" D intermediate steps
- Step lock standard on all models
- Shelf dimensions: 24" W x 20" D
- Capacity: 450 lbs.
- Shipped knocked down
- Grey powder coat finish
- Complies with OSHA and ANSI standards
- Three shelves available on 8-12 step models
- Two shelves available on 6-7 step models

VC637



MOBILE WORK PLATFORM STEEL ROLLING LADDERS

- Slip-resistant steps & 50 degree forward descent incline
- Step Lock included on all models
- Includes 2.5" dia. pads for stability
- Structural Framework is 1-1/16" tubular steel construction
- All-welded
- Grey powder coat finish
- Also available in other sizes and tread styles
- Step Width": 24
- Step Incline °: 50
- Step Type: Grip Strut Tread
- Includes Handrails: yes
- Colour: Grey powder-coated finish
- Capacity (lbs.): 800

VC591



Number of Steps	Top Step Height"	Base W" x D"	Overall Height"	Perforated Step Tread Model No.	Price /Each	Grip Strut Step Tread Model No.	Price /Each
6	60	35 x 60	92	VC632		VC639	
7	70	35 x 66	102	VC633		VC640	
8	80	35 x 73	116	VC634		VC641	
9	90	35 x 78	126	VC635		VC642	
10*	100	35 x 85	136	VC636		VC643	
11*	110	35 x 92	146	VC637		VC644	
12*	120	35 x 99	156	VC638		VC645	

*Includes toe boards



Model No.	Number of Steps	Top Step Dimensions W" x D"	Top Step Height"	Base W" x D"	Overall Height"	Price /Each
VC588	2	24 x 35	20	24 x 43	56	
VC589	3	24 x 35	30	24 x 50	66	
VC590	4	24 x 35	40	24 x 57	76	
VC591	5	24 x 35	50	24 x 64	86	
VC592	2	24 x 47	20	24 x 55	56	
VC593	3	24 x 47	30	24 x 63	66	
VC594	4	24 x 47	40	24 x 70	76	
VC595	5	24 x 47	50	24 x 77	86	

Also available in other sizes and tread styles